

RULED LINEAR SURFACE

E10C0122-

base number _____ Color _____
 Temperature _____

- To build a product code in our configurator select the specify button on the base model # product page
- To build a manual product code on this datasheet choose from the options listed below in blue font and add the suffix to the base model #

GENERAL

Series: Ruled Linear _____
 Partner: Side _____
 Division: Exterior _____
 Installation: Surface _____
 Product Type: Downlight _____
 Mounting Location: Ceiling _____
 Light Distribution: Downlight _____

PHYSICAL

Shape: Rectangle _____
 Length (mm): 132 _____
 Length (in): 5 ³/₁₆ _____
 Width (mm): 57 _____
 Width (in): 2 ¹/₄ _____
 Height (mm): 110 _____
 Height (in): 4 ⁵/₁₆ _____
 Weight (kg): 1 _____
 Diffuser: Transparent extra clear screen printed _____
 Fixture Finish: WBK _____
 Fixture Material: Aluminum Die Cast _____

ELECTRICAL

Lamp Type: LED (Zhaga Standard) _____
 Input Wattage (W): 10.5 _____
 Dimming: Non-Dimmable _____
 Driver Included: No _____
 Driver Location: Remote _____
 Driver Type: Constant Current - Universal _____
 Driver Class: Class 2 _____
 Input Voltage (V): 120 _____
 Constant Current (mA): 400mA _____
 Upon Request: Phase Dimming / 0-10V Dimming _____

LED

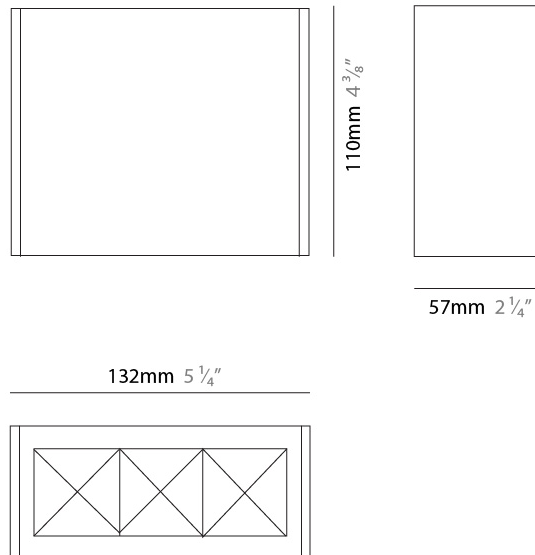
Color Temperature (°K): 3000 / 4000 _____
 Max. Delivered Lumen (lm): 2048 / 2150 _____
 CRI: >80 CRI _____
 Lamp Life (hrs): 50000 _____

OPTICAL

Beam Angle: 75 _____
 Upon Request: Beams 12° - 55° - AS - AE _____

RATINGS AND CERTIFICATIONS

Certified By: CSA Certified to UL and CSA Standards _____
 IP rating: IP65 _____
 IK Rating: IK07 _____
 Glare Rating: ≤ 19 _____
 Bug Rating: B1 U0 G0 _____



RULED LINEAR SURFACE

E10C0122-

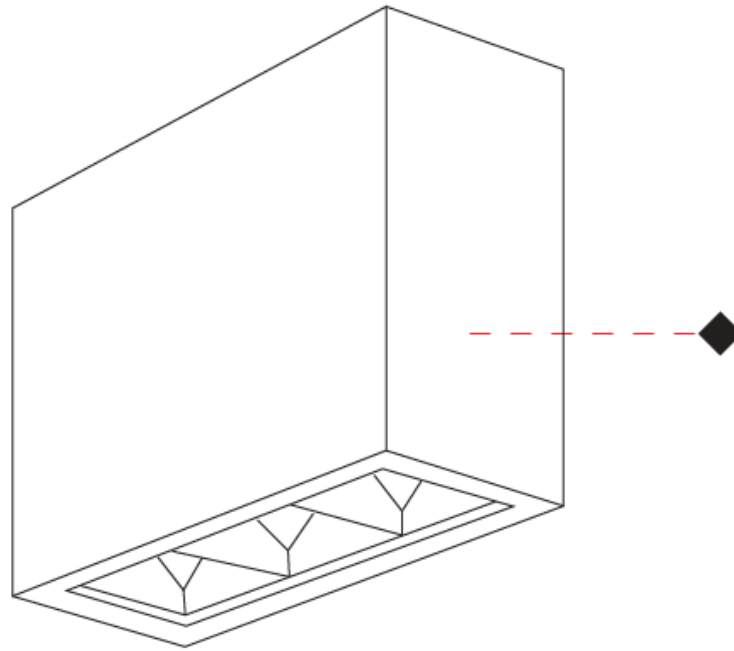
PROJECT _____

TYPE _____

SPECIFIER _____

QUANTITY _____

DATE _____



E

PROJECT _____
 TYPE _____
 SPECIFIER _____
 QUANTITY _____
 DATE _____

RULED LINEAR SURFACE

E10C0123-

base number _____ Color _____
 Temperature _____

- To build a product code in our configurator select the specify button on the base model # product page
- To build a manual product code on this datasheet choose from the options listed below in blue font and add the suffix to the base model #

GENERAL

Series: Ruled Linear _____
 Partner: Side _____
 Division: Exterior _____
 Installation: Surface _____
 Product Type: Downlight _____
 Mounting Location: Ceiling _____
 Light Distribution: Downlight _____

PHYSICAL

Shape: Rectangle _____
 Length (mm): 248 _____
 Length (in): 9 ³/₄ _____
 Width (mm): 57 _____
 Width (in): 2 ¹/₄ _____
 Height (mm): 110 _____
 Height (in): 4 ⁵/₁₆ _____
 Weight (kg): 1.5 _____
 Diffuser: Transparent extra clear screen printed _____
 Fixture Finish: WBK _____
 Fixture Material: Aluminum Die Cast _____

ELECTRICAL

Lamp Type: LED (Zhaga Standard) _____
 Input Wattage (W): 22 _____
 Dimming: Non-Dimmable _____
 Driver Included: No _____
 Driver Location: Remote _____
 Driver Type: Constant Current - Universal _____
 Driver Class: Class 2 _____
 Input Voltage (V): 120 _____
 Constant Current (MA): 400mA _____
 Upon Request: Phase Dimming / 0-10V Dimming _____

LED

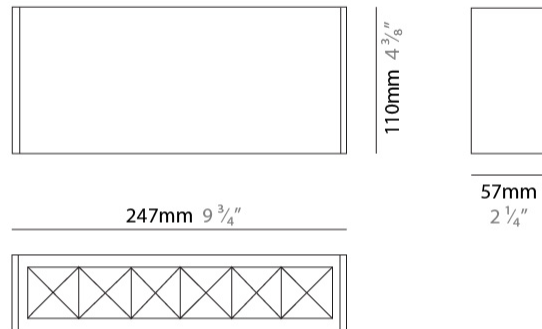
Color Temperature (°K): 3000 / 4000 _____
 Max. Delivered Lumen (lm): 4096 / 4300 _____
 CRI: >80 CRI _____
 Lamp Life (hrs): 50000 _____

OPTICAL

Beam Angle: 75 _____
 Upon Request: Beams 12° - 55° - AS - AE _____

RATINGS AND CERTIFICATIONS

Certified By: CSA Certified to UL and CSA Standards _____
 IP rating: IP65 _____
 IK Rating: IK07 _____
 Glare Rating: ≤ 19 _____
 Bug Rating: B1 U0 G0 _____



RULED LINEAR SURFACE

E10C0123-

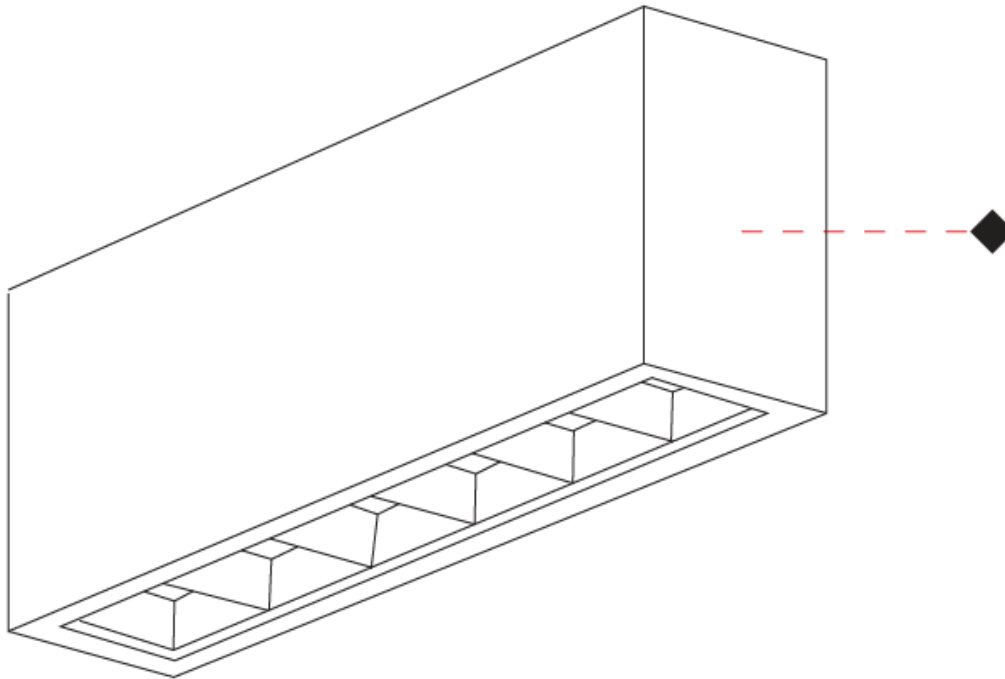
PROJECT _____

TYPE _____

SPECIFIER _____

QUANTITY _____

DATE _____



E

PROJECT _____
 TYPE _____
 SPECIFIER _____
 QUANTITY _____
 DATE _____

RULED LINEAR SURFACE

E10C0124-

base number _____ Color _____
 Temperature _____

- To build a product code in our configurator select the specify button on the base model # product page
- To build a manual product code on this datasheet choose from the options listed below in blue font and add the suffix to the base model #

GENERAL

Series: Ruled Linear _____
 Partner: Side _____
 Division: Exterior _____
 Installation: Surface _____
 Product Type: Downlight _____
 Mounting Location: Ceiling _____
 Light Distribution: Downlight _____

PHYSICAL

Shape: Rectangle _____
 Length (mm): 362 _____
 Length (in): 14 1/4 _____
 Width (mm): 57 _____
 Width (in): 2 1/4 _____
 Height (mm): 110 _____
 Height (in): 4 3/16 _____
 Weight (kg): 1.5 _____
 Diffuser: Transparent extra clear screen printed _____
 Fixture Finish: WBK _____
 Fixture Material: Aluminum Die Cast _____

ELECTRICAL

Lamp Type: LED (Zhaga Standard) _____
 Input Wattage (W): 32.5 _____
 Dimming: Non-Dimmable _____
 Driver Included: No _____
 Driver Location: Remote _____
 Driver Type: Constant Current - Universal _____
 Driver Class: Class 2 _____
 Input Voltage (V): 120 _____
 Constant Current (mA): 400mA _____
 Upon Request: Phase Dimming / 0-10V Dimming _____

LED

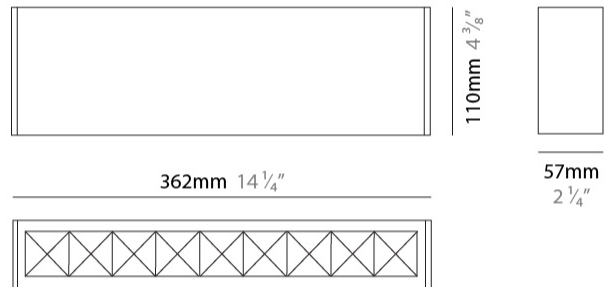
Color Temperature (°K): 3000 / 4000 _____
 Max. Delivered Lumen (lm): 6144 / 6450 _____
 CRI: >80 CRI _____
 Lamp Life (hrs): 50000 _____

OPTICAL

Beam Angle: 75 _____
 Upon Request: Beams 12° - 55° - AS - AE _____

RATINGS AND CERTIFICATIONS

Certified By: CSA Certified to UL and CSA Standards _____
 IP rating: IP65 _____
 IK Rating: IK07 _____
 Glare Rating: ≤ 19 _____
 Bug Rating: B1 U0 G0 _____



RULED LINEAR SURFACE

E10C0124-

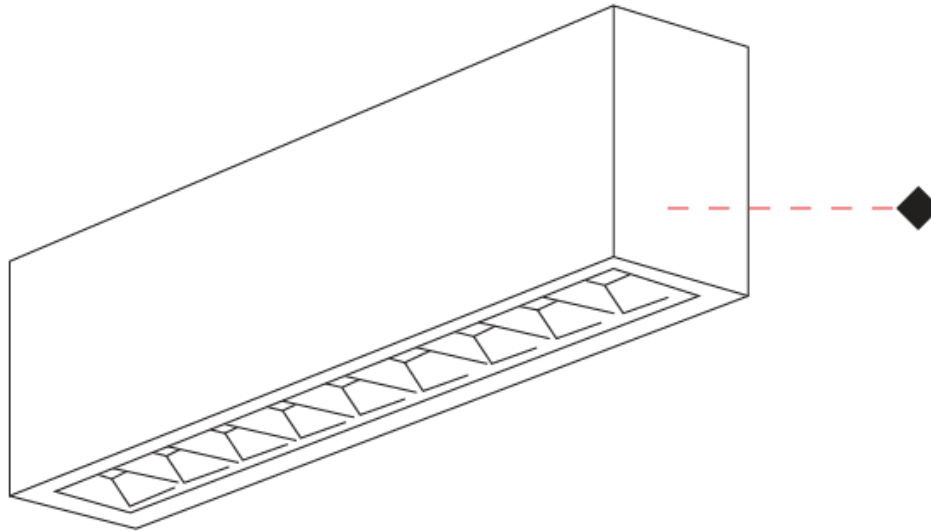
PROJECT _____

TYPE _____

SPECIFIER _____

QUANTITY _____

DATE _____



RULED LINEAR RECESSED

E10R0154-

base number Color Finish
 Temperature Options

- To build a product code in our configurator select the specify button on the base model # product page
- To build a manual product code on this datasheet choose from the options listed below in blue font and add the suffix to the base model #

GENERAL

Series: Ruled Linear
 Partner: Side
 Division: Exterior
 Installation: Recessed
 Product Type: Downlight
 Mounting Location: Ceiling
 Light Distribution: Downlight

PHYSICAL

Shape: Rectangle
 Length (mm): 142
 Length (in): 5 ⁹/₁₆
 Width (mm): 67
 Width (in): 2 ⁵/₈
 Depth (mm): 56
 Depth (in): 2 ³/₁₆
 Ceiling Thickness (mm): 5-40
 Weight (kg): 1
 Diffuser: Transparent extra clear screen printed
 Fixture Finish: [BLK / WHI](#)
 Fixture Material: Aluminum Die Cast
 Cut-out Measurements: 60mm/2 3/8" x 135 mm/5 5/16"

ELECTRICAL

Lamp Type: LED (Zhaga Standard)
 Input Wattage (W): 9.5
 Dimming: Non-Dimmable
 Driver Included: No
 Driver Location: Remote
 Driver Type: Constant Current - Universal
 Driver Class: Class 2
 Input Voltage (V): 120
 Constant Current (MA): 400mA
 Upon Request: Phase Dimming / 0-10V Dimming

LED

Color Temperature (°K): [3000 / 4000](#)
 Max. Delivered Lumen (lm): 2048 / 2150
 CRI: >80 CRI
 Lamp Life (hrs): 50000

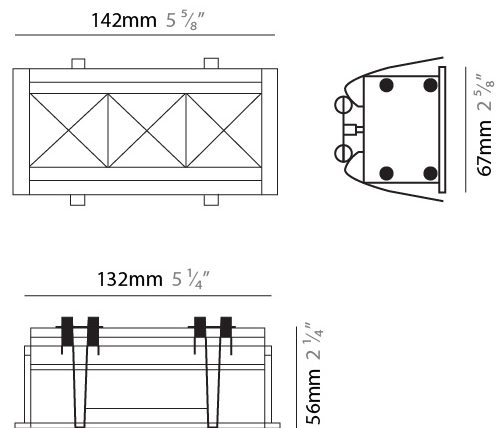
OPTICAL

Beam Angle: 75
 Upon Request: Beams 12° - 55° - AS - AE

RATINGS AND CERTIFICATIONS

Certified By: CSA Certified to UL and CSA Standards
 IP rating: IP65
 IK Rating: IK07
 Glare Rating: ≤ 19
 Bug Rating: B1 U0 G0

PROJECT
TYPE
SPECIFIER
QUANTITY
DATE



RULED LINEAR RECESSED

E10R0154-

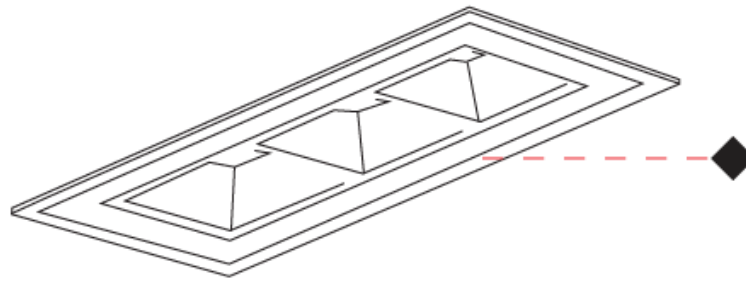
PROJECT

TYPE

SPECIFIER

QUANTITY

DATE



E

RULED LINEAR RECESSED

E10R0155-

base number Color Finish
 Temperature Options

- To build a product code in our configurator select the specify button on the base model # product page
- To build a manual product code on this datasheet choose from the options listed below in blue font and add the suffix to the base model #

GENERAL

Series: Ruled Linear
 Partner: Side
 Division: Exterior
 Installation: Recessed
 Product Type: Downlight
 Mounting Location: Ceiling
 Light Distribution: Downlight

PHYSICAL

Shape: Rectangle
 Length (mm): 257
 Length (in): 5 ⁹/₁₆
 Width (mm): 67
 Width (in): 2 ⁵/₈
 Depth (mm): 56
 Depth (in): 2 ³/₁₆
 Ceiling Thickness (mm): 5-40
 Weight (kg): 1
 Diffuser: Transparent extra clear screen printed
 Fixture Finish: [BLK / WHI](#)
 Fixture Material: Aluminum Die Cast
 Cut-out Measurements: 60mm/2 3/8" x 250 mm/9 13/16"

ELECTRICAL

Lamp Type: LED (Zhaga Standard)
 Input Wattage (W): 19
 Dimming: Non-Dimmable
 Driver Included: No
 Driver Location: Remote
 Driver Type: Constant Current - Universal
 Driver Class: Class 2
 Input Voltage (V): 120
 Constant Current (MA): 400mA
 Upon Request: Phase Dimming / 0-10V Dimming

LED

Color Temperature (°K): [3000 / 4000](#)
 Max. Delivered Lumen (lm): 4096 / 4300
 CRI: >80 CRI
 Lamp Life (hrs): 50000

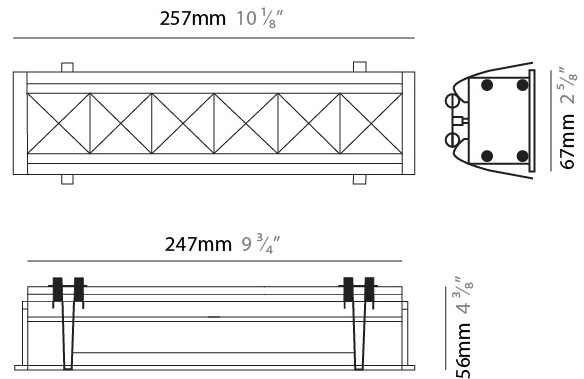
OPTICAL

Beam Angle: 75
 Upon Request: Beams 12°- 55° - AS - AE

RATINGS AND CERTIFICATIONS

Certified By: CSA Certified to UL and CSA Standards
 IP rating: IP65
 IK Rating: IK07
 Glare Rating: ≤ 19
 Bug Rating: B1 U0 G0

PROJECT
TYPE
SPECIFIER
QUANTITY
DATE



RULED LINEAR RECESSED

E10R0155-

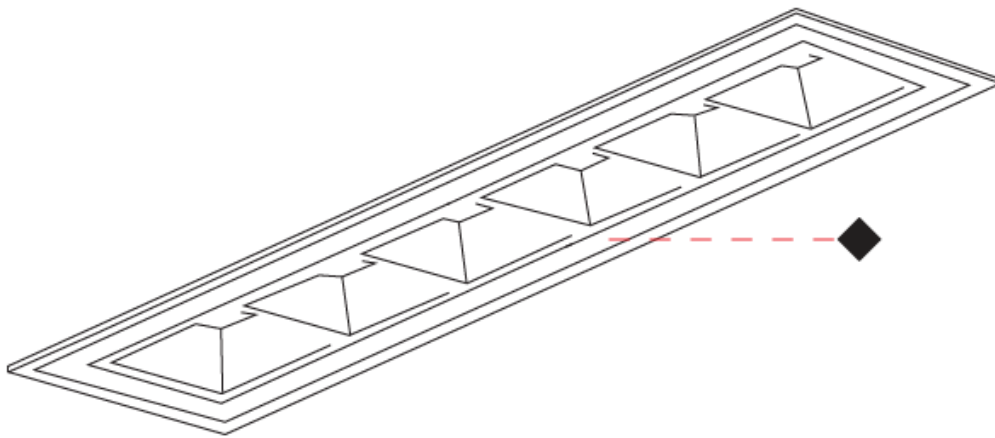
PROJECT

TYPE

SPECIFIER

QUANTITY

DATE



E

RULED LINEAR RECESSED

E10R0156-

base number Color Finish
 Temperature Options

- To build a product code in our configurator select the specify button on the base model # product page
- To build a manual product code on this datasheet choose from the options listed below in blue font and add the suffix to the base model #

GENERAL

Series: Ruled Linear
 Partner: Side
 Division: Exterior
 Installation: Recessed
 Product Type: Downlight
 Mounting Location: Ceiling
 Light Distribution: Downlight

PHYSICAL

Shape: Rectangle
 Length (mm): 371
 Length (in): 14 ⁵/₈
 Width (mm): 67
 Width (in): 2 ⁵/₈
 Depth (mm): 56
 Depth (in): 2 ³/₁₆
 Ceiling Thickness (mm): 5-40
 Weight (kg): 1
 Diffuser: Transparent extra clear screen printed
 Fixture Finish: [BLK / WHI](#)
 Fixture Material: Aluminum Die Cast
 Cut-out Measurements: 60mm/2 3/8" x 365 mm/14 3/8"

ELECTRICAL

Lamp Type: LED (Zhaga Standard)
 Input Wattage (W): 28.5
 Dimming: Non-Dimmable
 Driver Included: No
 Driver Location: Remote
 Driver Type: Constant Current - Universal
 Driver Class: Class 2
 Input Voltage (V): 120
 Constant Current (MA): 400mA
 Upon Request: Phase Dimming / 0-10V Dimming

LED

Color Temperature (°K): [3000 / 4000](#)
 Max. Delivered Lumen (lm): 6144 / 6450
 CRI: >80 CRI
 Lamp Life (hrs): 50000

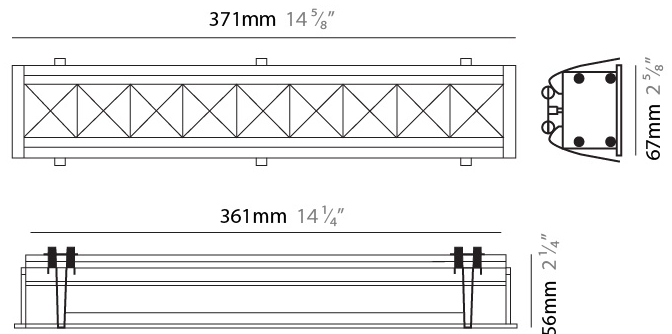
OPTICAL

Beam Angle: 75
 Upon Request: Beams 12° - 55° - AS - AE

RATINGS AND CERTIFICATIONS

Certified By: CSA Certified to UL and CSA Standards
 IP rating: IP65
 IK Rating: IK07
 Glare Rating: ≤ 19
 Bug Rating: B1 U0 G0

PROJECT
TYPE
SPECIFIER
QUANTITY
DATE



RULED LINEAR RECESSED

E10R0156-

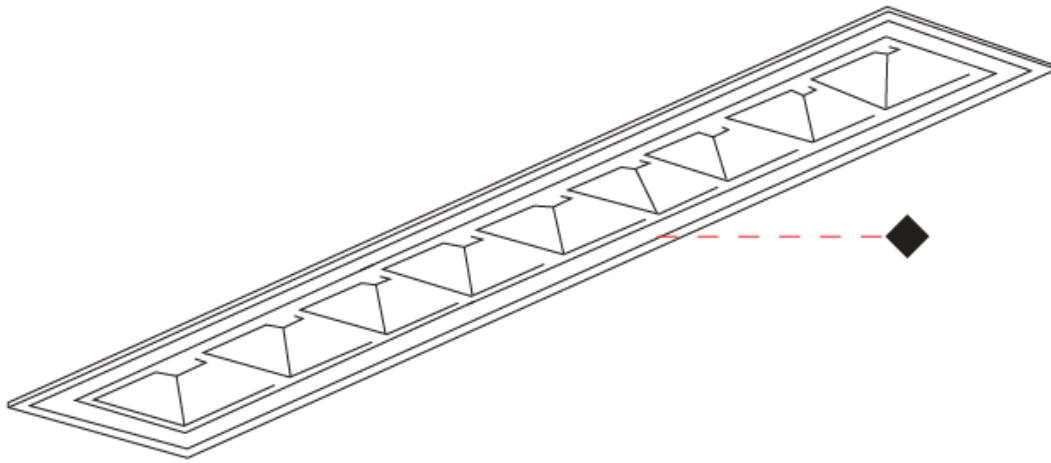
PROJECT

TYPE

SPECIFIER

QUANTITY

DATE



E

RULED LINEAR COLOR FINISH CHART

PROJECT _____

TYPE _____

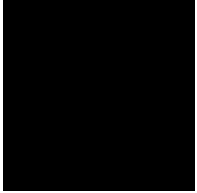
SPECIFIER _____

QUANTITY _____

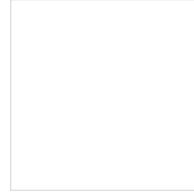
DATE _____

Fixture Finish

Black - BLK



White - WHI



Digital: Not all screens are calibrated the same, and therefore, colors will appear differently between screens.









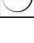

Physical: When texture is involved, there will be variations in color, character and tone within a product series and between product families.













LEGEND

	floor-mounted		pivotal		special LED (upon request) RGB, RGBW, tunable, gold+, meat+, art+, fashion+
	wall and ceiling: recessed and surface mounted		rotating		warm dim / natural dimming LED
	ceiling-mounted and wall-mounted		illuminate tilted		rechargeable battery powered
	wall-mounted		color of suspension cable		fixture with natural vivid LED (upon request)
	omni-directional light distribution		length of suspension cable		color rendering index
	direct light distribution		reflector degree selection		color temperature
	direct/indirect light distribution		super spot		lumen (luminous flux)
	indirect light distribution		lens		efficacy (lumens per watt)
	asymmetric light distribution		lens pack		Unified Glare Rating (UGR) range from 5-40
	aura light distribution		shine ring		marine grade (AISI 316 stainless steel)
	round wall or ceiling cut-out		integrated shine ring with diffuser		walk on
	square wall or ceiling cut-out		free individual colors 01-29		drive on
	the supplied jig specifies the cutout dimensions		individual colors: 00 (free of charge), 01-25 (extra charge)		Dark Sky Compliance
	minimum distance (meters) lamp - object		luminaire part to be colored (F1)		Americans with Disabilities Act (less than 4" off the wall located between 27"-84" from floor)
	recessed depth		luminaire part to be colored (F2)		lamp protected against explosion
	ceiling thickness in mm		luminaire part to be colored (F3)		blown glass using traditional methods by master glass blower
	ceiling thickness selection		luminaire part to be colored (F4)		acoustic material
	dimmable DP (phase), DV (0-10V), DD (dali), DS (step-dim)		luminaire part to be colored (F5)		protection class I, protection insulation
	included or excluded LED driver/transformer/control gear		color of 3-circuit adaptor		protection class II, protection insulation
	separately switchable		indirect diffuser		ETL Certified to UL and CSA Standards
	sensor		direct diffuser		UL Certified to UL and CSA Standards
	remote control		ball-proof (upon request)		CSA Certified to UL and CSA Standards
	available upon request		accessory		Certified for North American Standards

IP RATING

	protected against ingress of solid bodies greater than 12.5mm (finger)
	protected against ingress of solid bodies greater than 2.5mm protected against sprays of water up to 60 degrees from the vertical (rain)
	protected against ingress of solid bodies greater than 1mm (wire) no protection against the ingress of moisture
	protected against ingress of solid bodies greater than 1mm (wire) protected against sprays of water up to 60 degrees from the vertical (rain)
	protected against ingress of solid bodies greater than 1mm (wire) protected against water splashed from all directions
	protected against limited ingress of dust (wet rooms/covered outdoor areas) protected against water splashed from all directions
	protected against ingress of dust protected against jets of water
	protected against ingress of dust protected against powerful jets of water or heavy seas
	protected against ingress of dust protected against immersion of water between 15cm - 1m for 30 minutes
	protected against ingress of dust protected against immersion of water under pressure for long periods

IK RATING

	protected against 0.14 joules impact (equivalent to 0.25kg mass dropped from 56mm above the surface)
	protected against 0.2 joules impact (equivalent to 0.25kg mass dropped from 80mm above the surface)
	protected against 0.35 joules impact (equivalent to 0.25kg mass dropped from 140mm above the surface)
	protected against 0.5 joules impact (equivalent to 0.25kg mass dropped from 200mm above the surface)
	protected against 0.7 joules impact (equivalent to 0.25kg mass dropped from 280mm above the surface)
	protected against 1 joules impact (equivalent to 0.25kg mass dropped from 400mm above the surface)
	protected against 2 joules impact (equivalent to 0.5kg mass dropped from 400mm above the surface)
	protected against 5 joules impact (equivalent to 1.7kg mass dropped from 300mm above the surface)
	protected against 10 joules impact (equivalent to 5.0kg mass dropped from 200mm above the surface)
	protected against 20 joules impact (equivalent to 5.0kg mass dropped from 400mm above the surface)